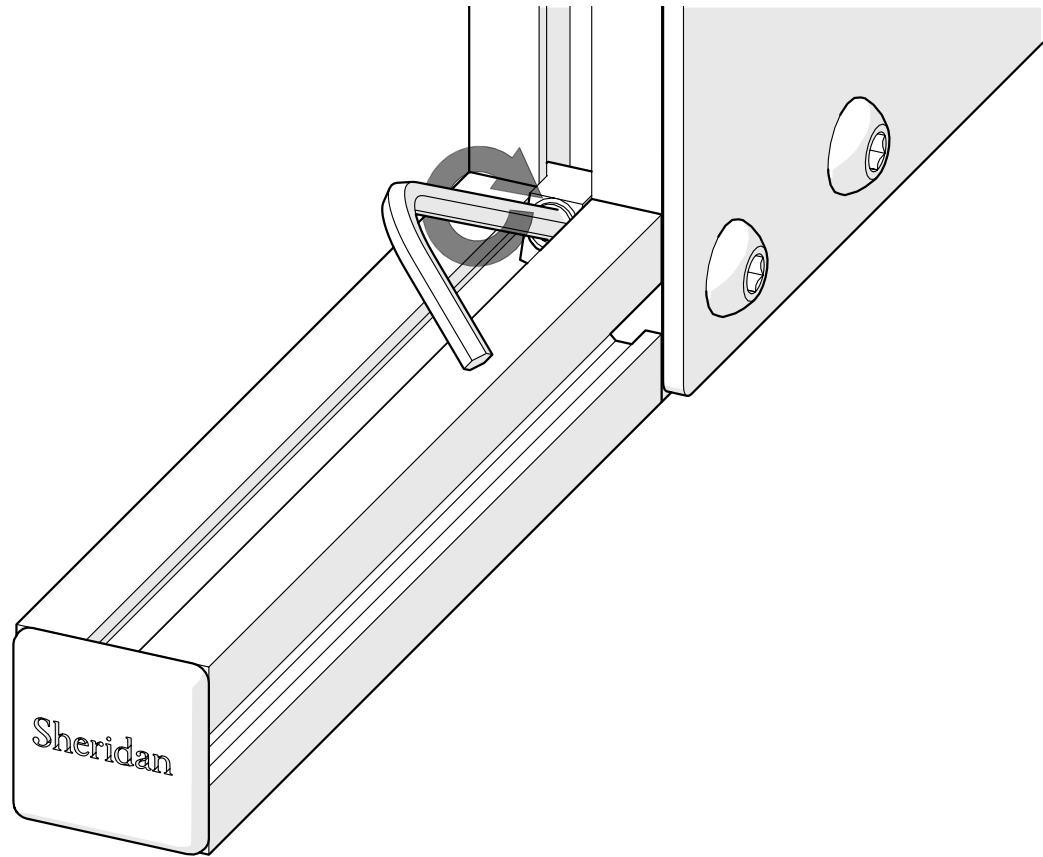


Option 3 (*Optional front legs*)



Use the **4 mm Allen key** provided in your kit to secure the front legs in place.