







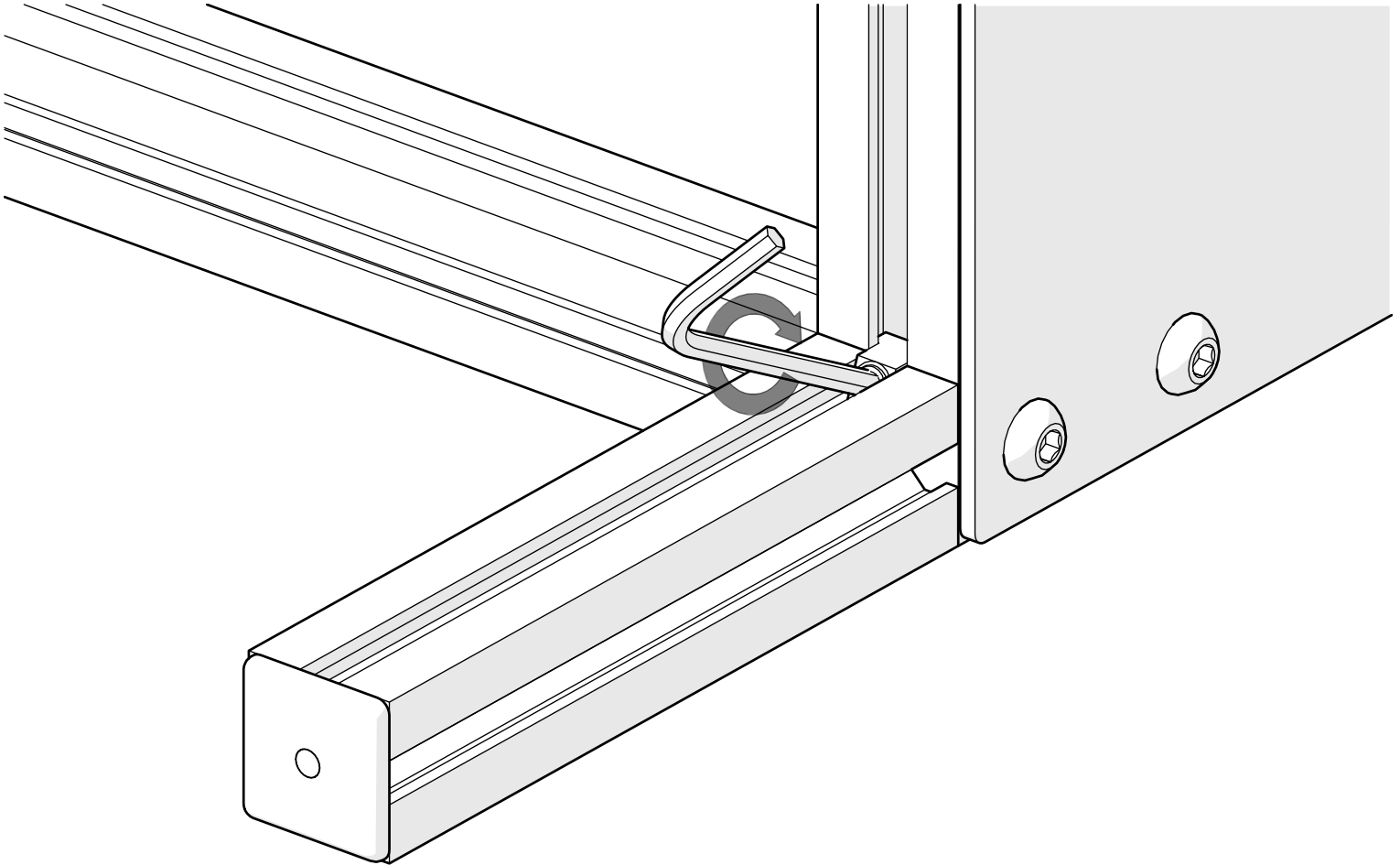








Option 3 (**Optional front legs**):



Use the **4 mm Allen key** provided in your kit to secure the front legs in place.